

Retractable Handles

Plastic, Retractable Mechanism Stainless Steel, Locked in Operating Position

SPECIFICATION

Handle

Plastic, phenolic resin (PF) **KU**

- Operating temperature up to 110 °C
- Black, shiny finish
- Revolving

Retractable mechanism

Stainless steel

- Spindle, AISI 303
- Flat base, AISI 316LHC sintered

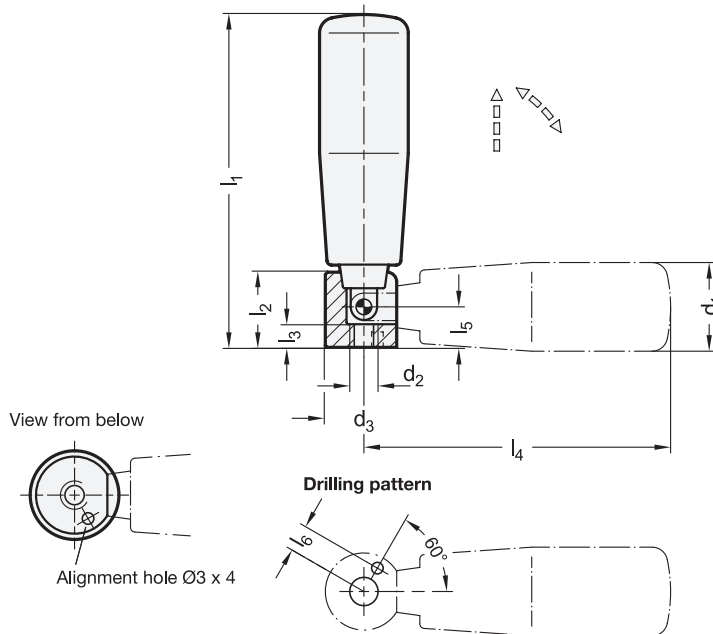


INFORMATION

Retractable handles GN 598.5 are used when the handle should not protrude temporarily for space or safety reasons.

TECHNICAL INFORMATION

- Plastic Characteristics (see page A2)
- Stainless Steel Characteristics (see page A26)



GN 598.5

Description	d1	d2	d3	l1 ≈	l2	l3	l4 ≈	l5	l6	⚖
GN 598.5-KU-23	23	M 6	20	87	19.5	6	80	10.5	7	102
GN 598.5-KU-26	26	M 6	20	102	19.5	6	95	10.5	7	134
GN 598.5-KU-28	28	M 8	26	118	26	10	106	16	10	215